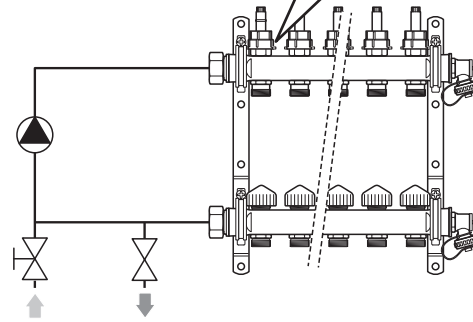
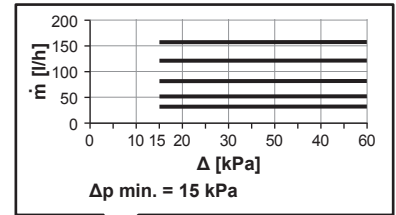
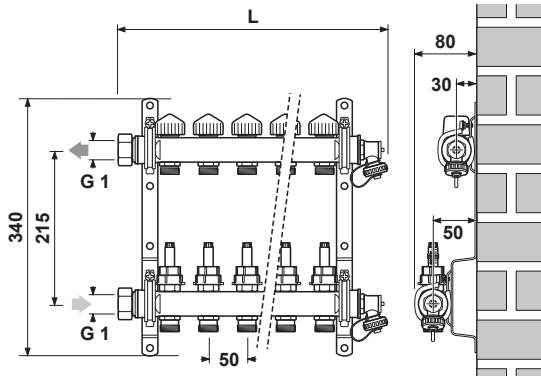
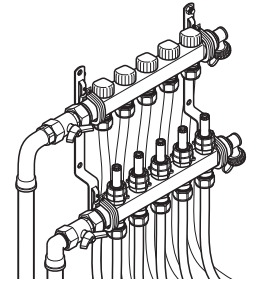


Uponor

Uponor Vario S Manifold DFC



n	L [mm]	n	L [mm]
2	210	8	510
3	260	9	560
4	310	10	610
5	360	11	660
6	410	12	710
7	460		



$\dot{Q}_{sec} = 15 - 60^\circ\text{C}$



$P_{max} = 6 \text{ bar}$



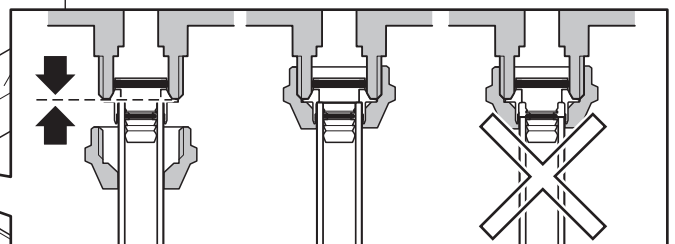
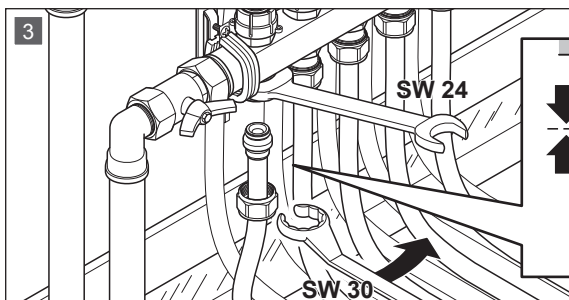
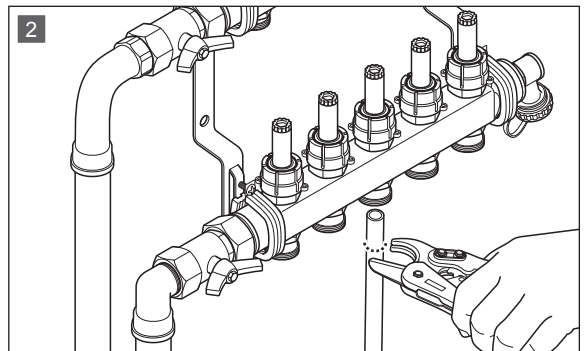
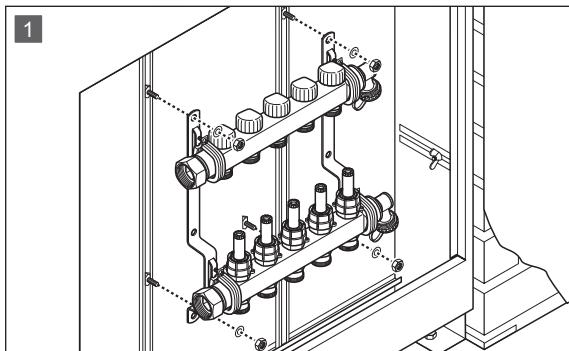
$P_{test} = 10 \text{ bar}$

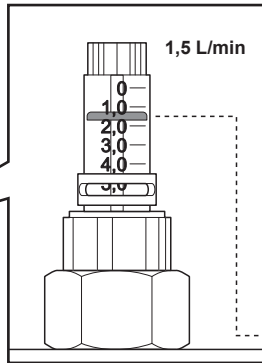
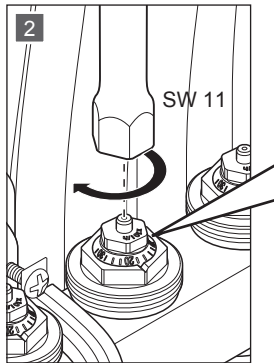
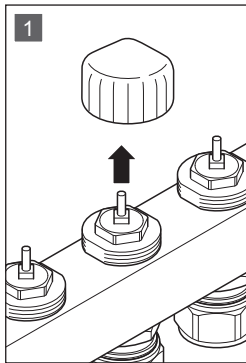
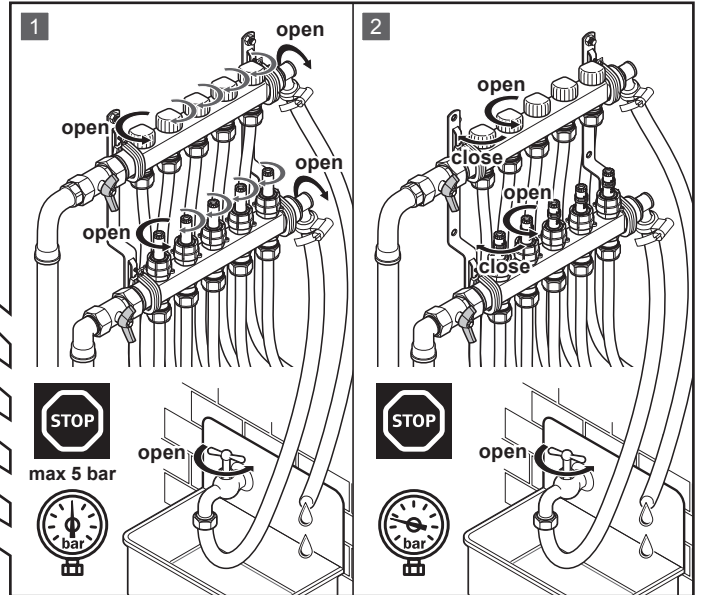
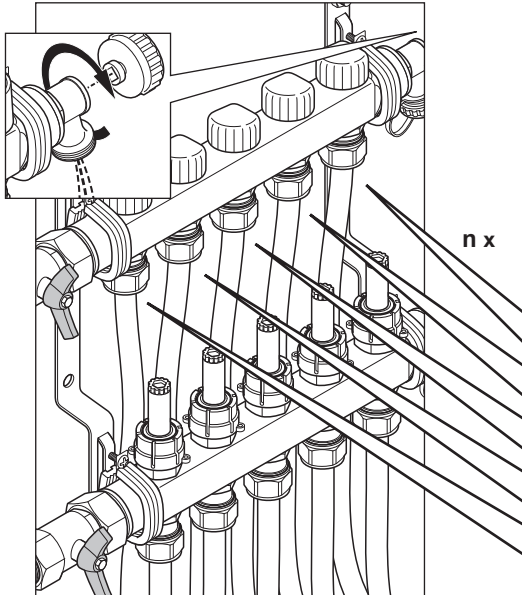


$kvs = 1,1 \text{ m}^3/\text{h}$



$kvs = 0,3 \text{ m}^3/\text{h}$

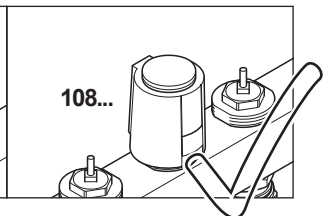
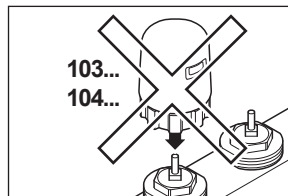
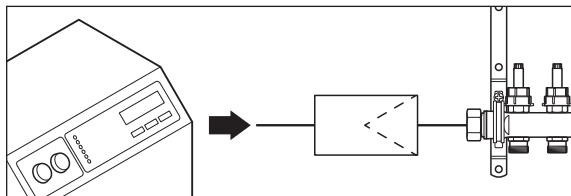
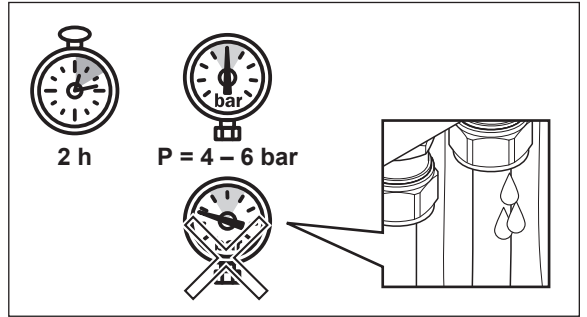
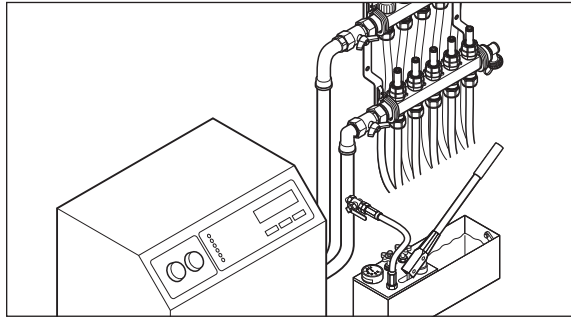




Uponor floor heating calculations

Room heating circuit data

Room Heating No.	circuit No.	Quantity of water [l/min]	Valve adjustment
1	1	1	6
1	2	3	18
2	3	2	12
3	4	1,67	10
4	5	1,5	9



Uponor GmbH

Industriestraße 56,
D-97437 Hassfurt, Germany

1094100 02_2019 INT
Production: Uponor / FM

Uponor reserves the right to make changes, without prior notification, to the specification of incorporated components in line with its policy of continuous improvement and development.



www.uponor.com